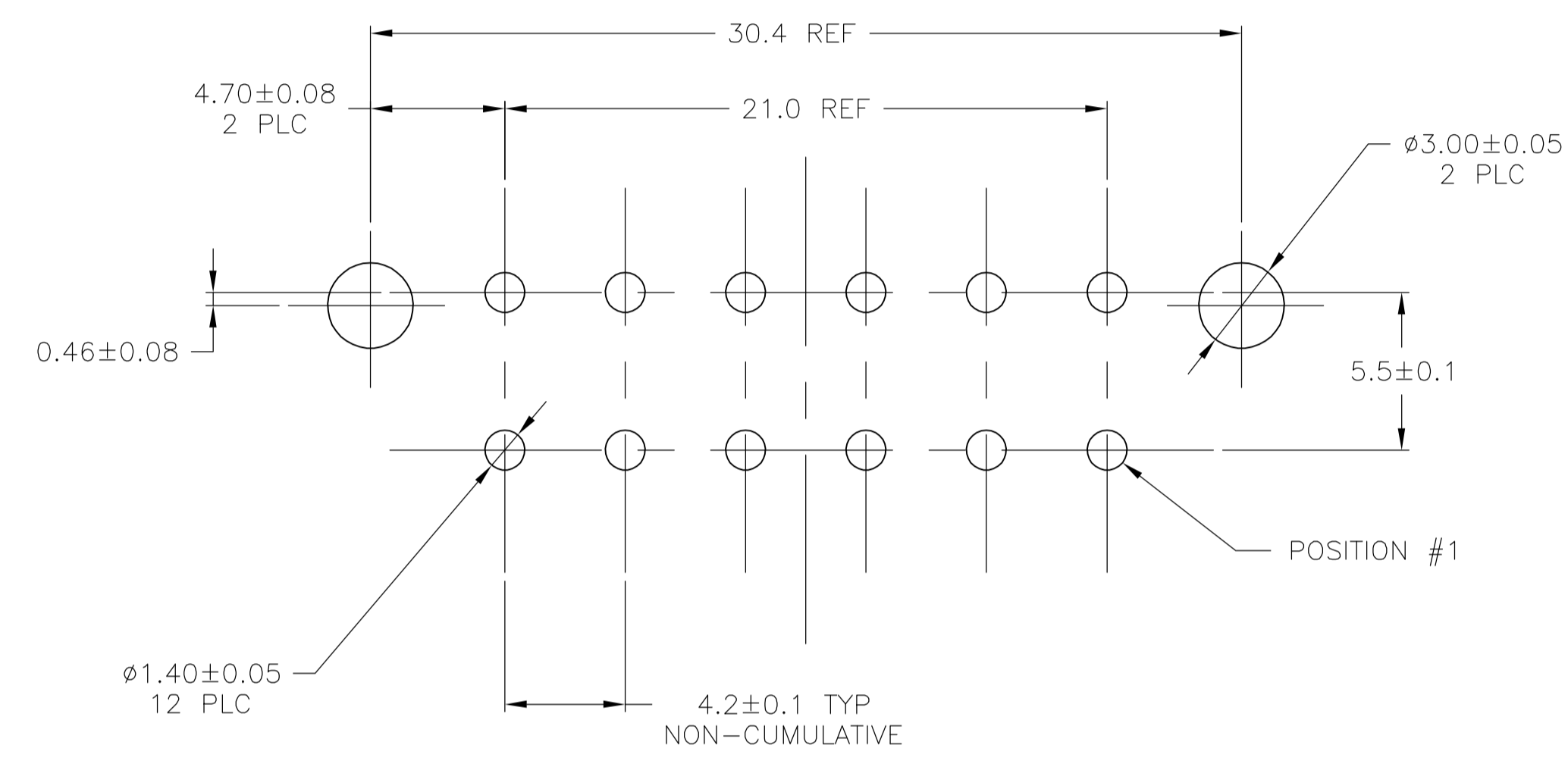
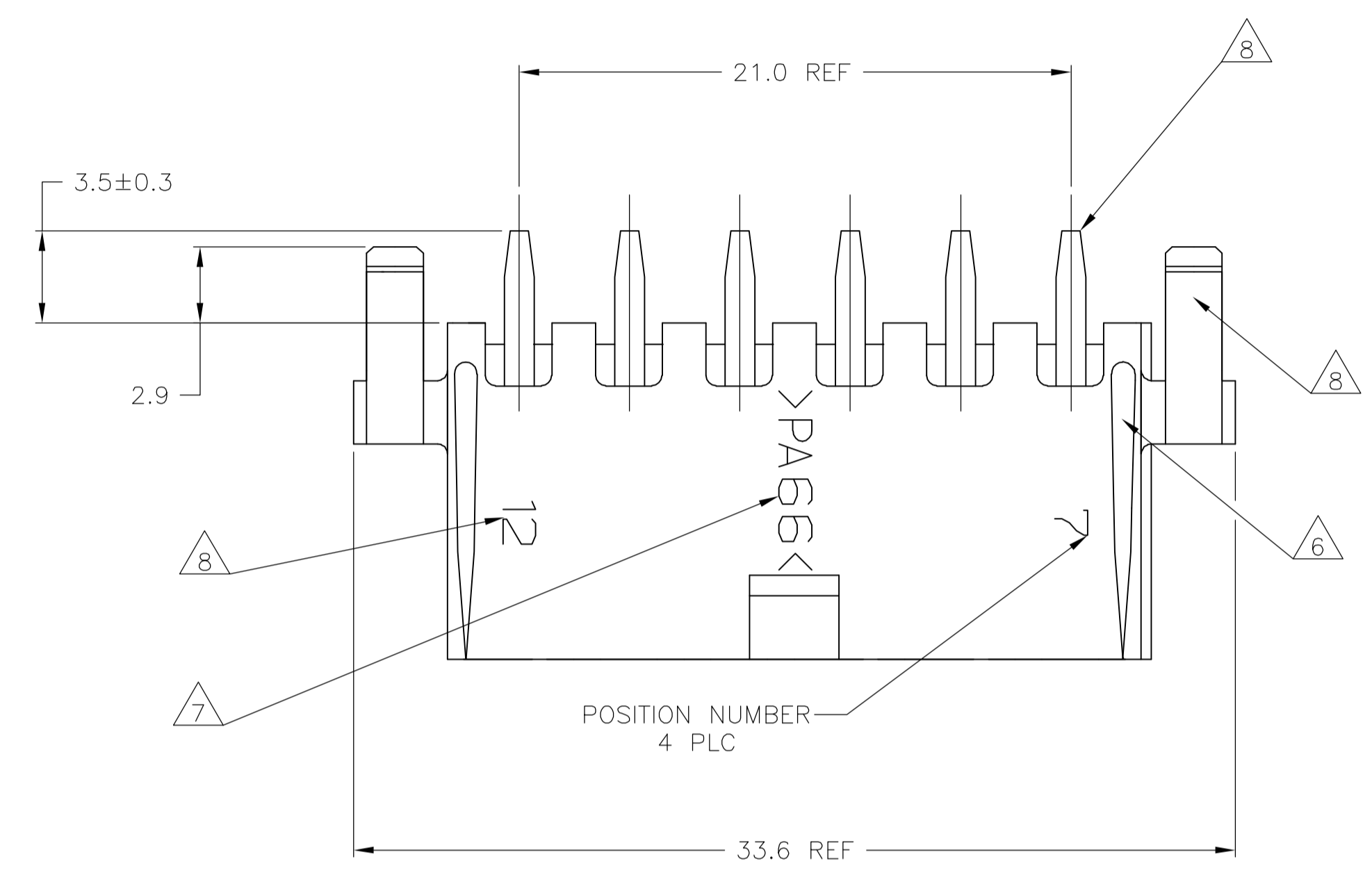
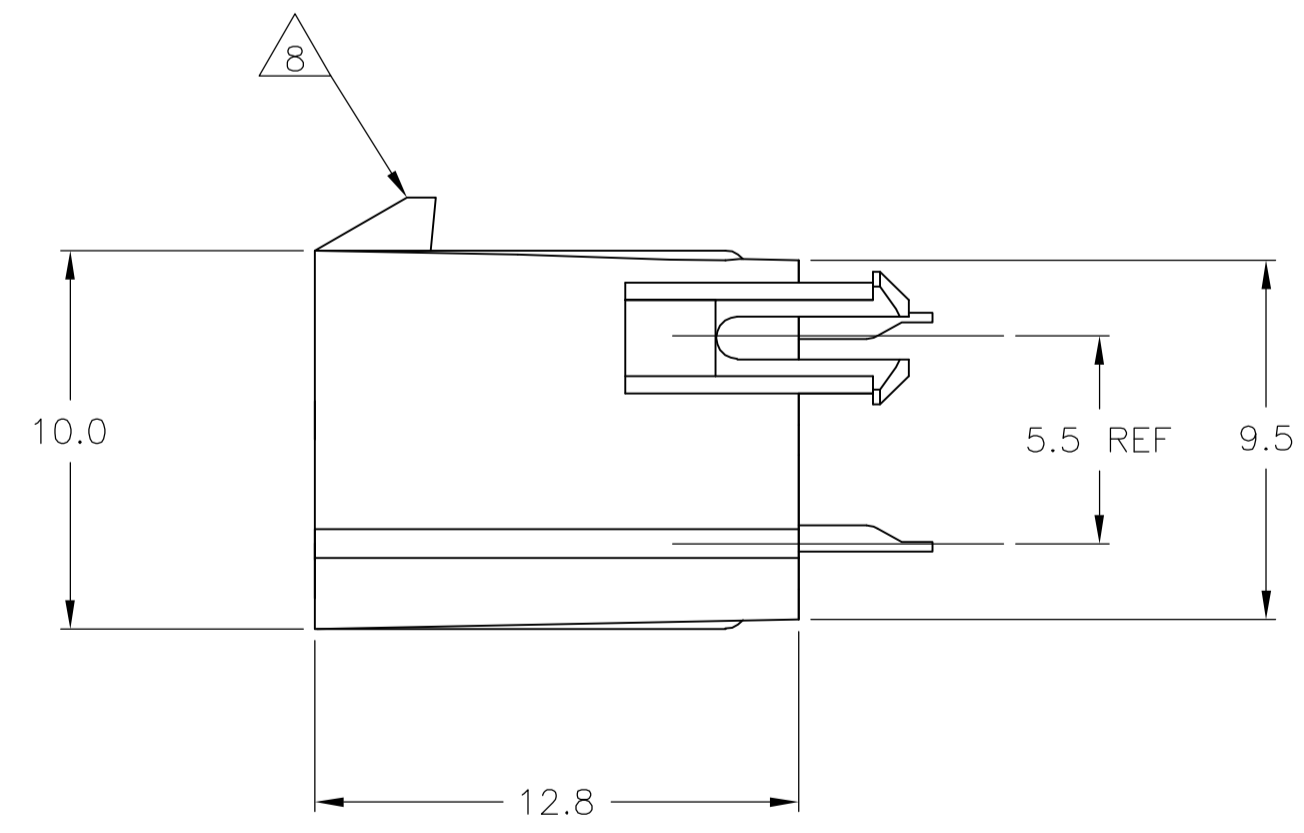
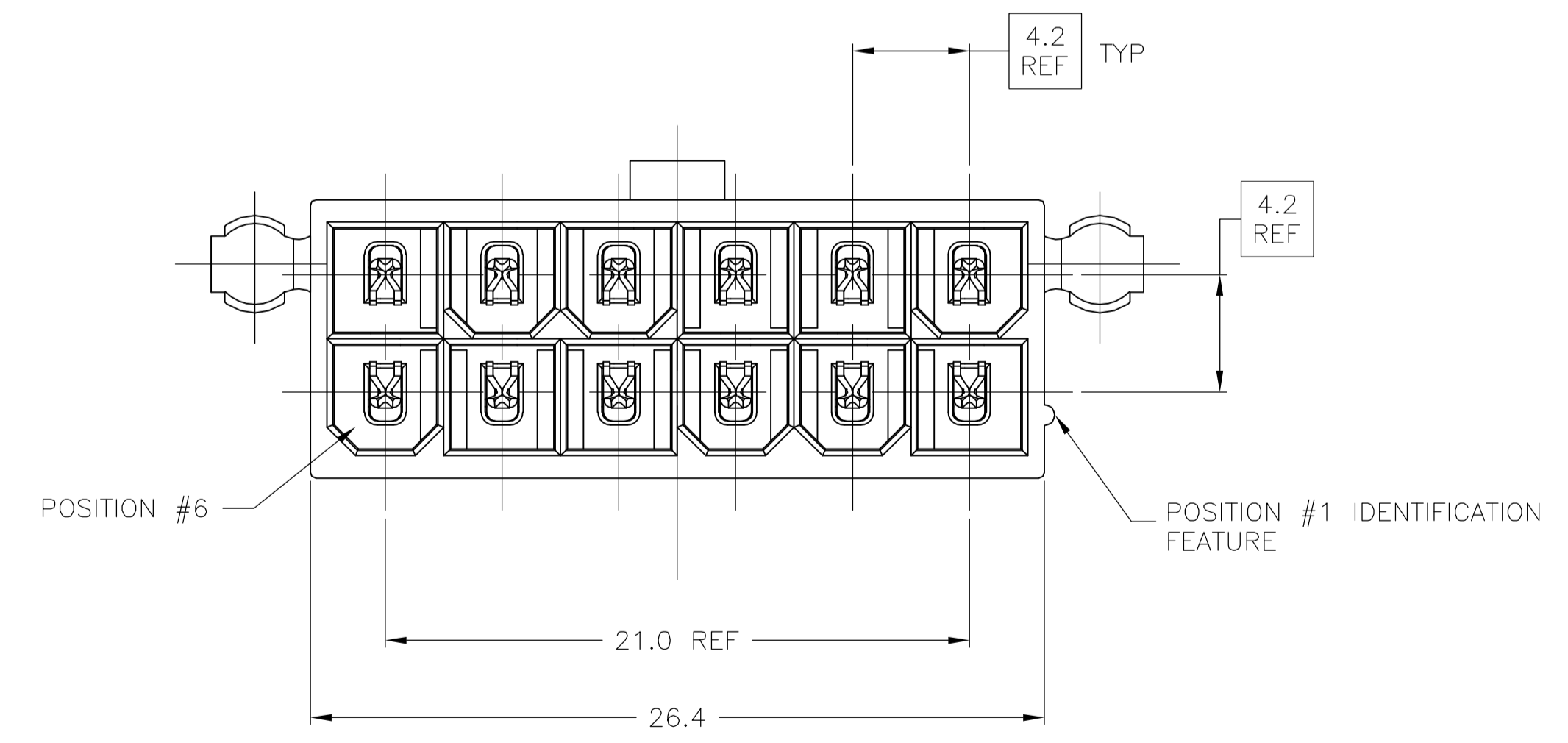


LOC		DIST		REVISIONS			
P	LTR	DESCRIPTION	DATE	DWN	APVD		
E		ECO-06-013158	28JUN06	BSV	DC		

- 1 MATERIAL:
HOUSING: NYLON, UL94V-2 (COLOR - NATURAL, COLOR OF PARTS MAY VARY).
CONTACTS: 0.25 THK COPPER ALLOY.
- 2 CONTACT FINISH: 0.003 MIN THK TIN-LEAD OVER 0.00127 MIN THK NICKEL OVER ENTIRE CONTACT.
- 3 CONTACT FINISH: 0.00076 MIN THK GOLD PLATE ON PIN MATING SURFACE, 0.003 MIN THK TIN-LEAD PLATE ON SOLDER TAIL, ALL OVER 0.00127 MIN THK NICKEL BASE PLATE.
- 4. SOLDER TAIL MEETS AMP SOLDERABILITY SPECIFICATION 109-11-2.
- 5. MATES WITH SIMILARLY PLATED AMP-DUAC™ POWER CONNECTOR RECEPTACLE HOUSINGS/SOCKET CONTACTS.
- 6 RIBS ON FOUR CORNERS OPTIONAL.
- 7 AMP LOGO AND MATERIAL ID MAY BE LOCATED ON EITHER LONG SIDE OF PART.
- 8 SIZE, SHAPE OR STYLE OF THIS FEATURE MAY VARY.
- 9 CONTACT FINISH: 0.003 MIN THK TIN OVER 0.00127 MIN THK NICKEL OVER ENTIRE CONTACT.
- 10 CONTACT FINISH: 0.00076 MIN THK GOLD PLATE ON PIN MATING SURFACE, 0.003 MIN THK TIN PLATE ON SOLDER TAIL, ALL OVER 0.00127 MIN THK NICKEL BASE PLATE.



RECOMMENDED MOUNTING HOLE PATTERN
 FOR 1.78 MAX THICK P.C. BOARD
 COMPONENT SIDE SHOWN



SUPERCEDED BY 1-794307-2
 SUPERCEDED BY 1-794307-1

1	10	1	1	1-794307-2
1	9	1	1	1-794307-1
1	3	1	1	794307-2
1	2	1	1	794307-1
CONTACT		HOUSING		PART NO
MATERIAL	FINISH	MATERIAL	COLOR	

DIMENSIONS:		TOLERANCES UNLESS OTHERWISE SPECIFIED:		APPROVALS:		TYCO ELECTRONICS	
mm				DESIGN	DATE	NAME	LOCATION
0 PLC	± -	0	± -	R. VESTAL	21OCT97		Tyco Electronics Corporation
1 PLC	± 0.2	1	± 0.2	CHK R. SWING	21OCT97		Harrisburg, Pa 17105-3608
2 PLC	± 0.13	2	± 0.13	ENG. REILES	21OCT97		
3 PLC	± -	3	± -				
4 PLC	± -	4	± -				
ANGLES	± 0.30°						
MATERIAL	SEE TABLE	FINISH	SEE TABLE	WEIGHT	-	SIZE	A1
CUSTOMER DRAWING				SCALE	5:1	SHEET	1 OF 1
				DRAWING NO	000779	DRAWING NO	794307
				RESTRICTED TO	-	REV	E